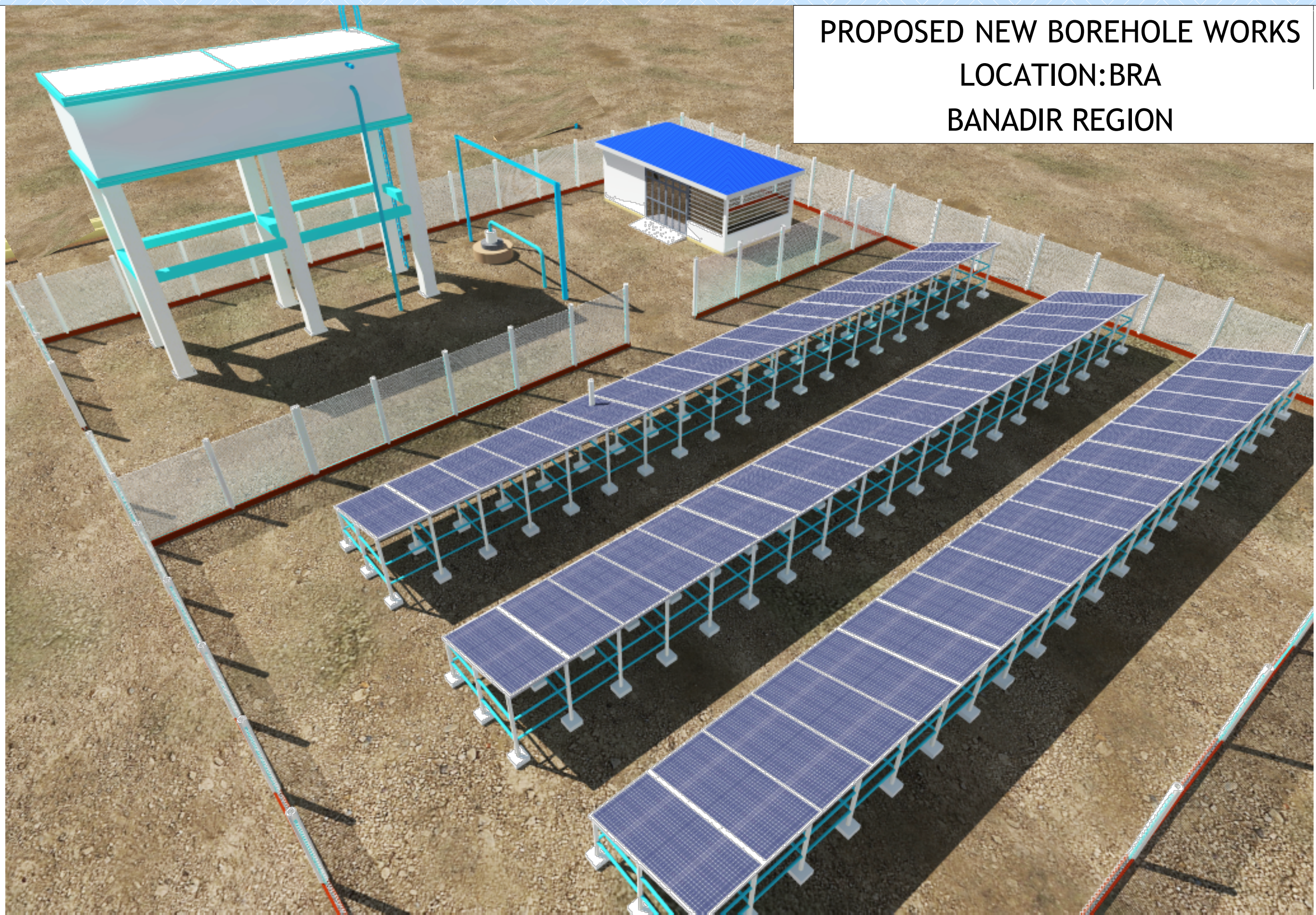


**PROPOSED NEW BOREHOLE WORKS**  
**LOCATION: BRA**  
**BANADIR REGION**



DFC>97H

PROPOSED NEW BOREHOLE WORKS

IMPLEMENTING AGENCY



@C75HCB

**WASH** SUPPORTED  
 BENEFICIARY SITES IN  
 SOMALIA

89G7F-DHCB

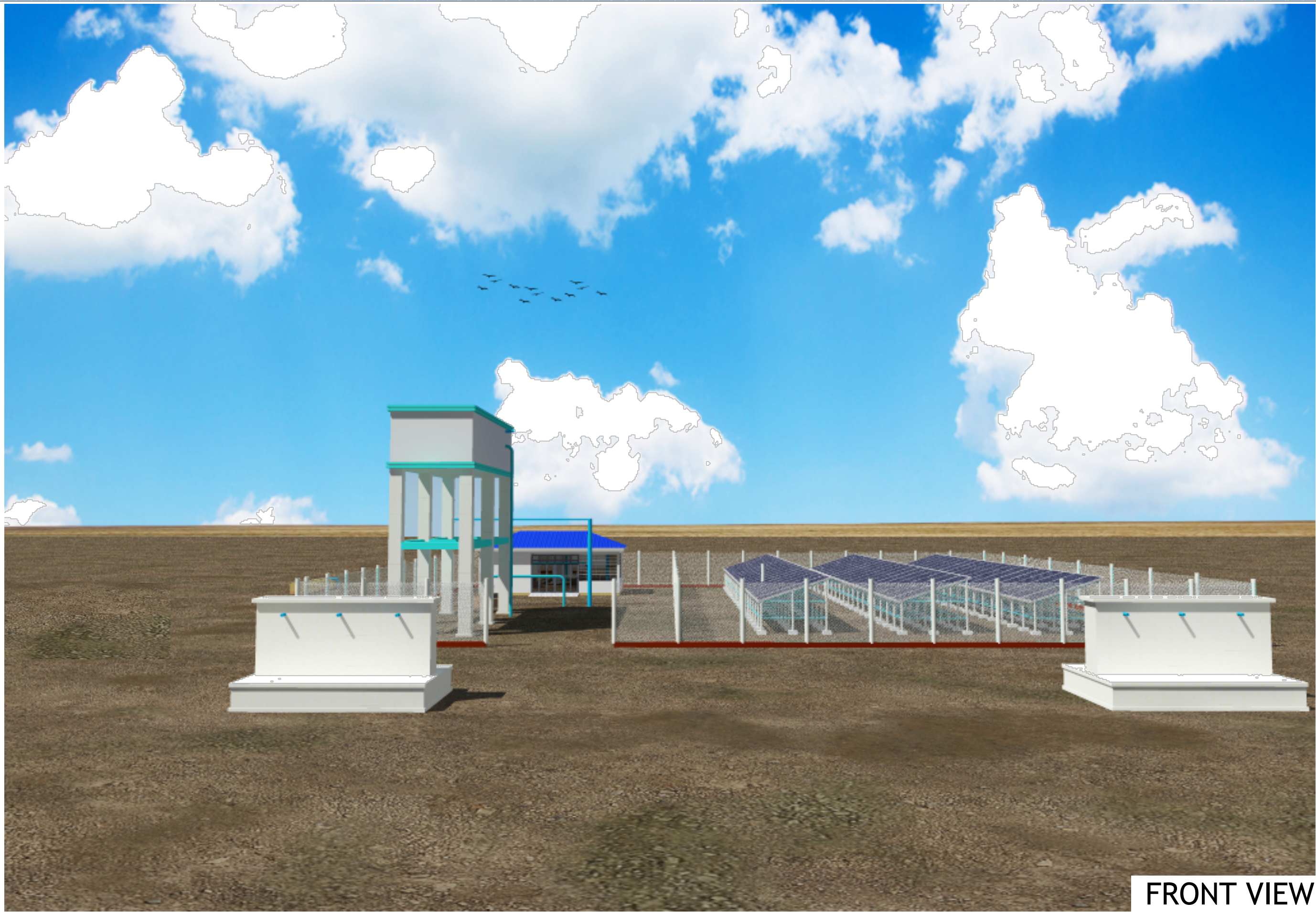
REV.	DESCRIPTION	DATE

STATUS	NEW CONSTRUCTION
DATE	JAN 2020
DESIGNED BY:	ENG. WANJA D.
DRAWN BY :	ENG. WANJA D.
REVIEWED BY:	
APPROVED BY:	DR. O. KHYARE

BF5K-B: 1H#9.
Details
BF5K-B: B <sup>6</sup> .
DFC>97HB <sup>6</sup> .

**BOREHOLES**

G:99HB<sup>6</sup>.



**FRONT VIEW**

DFC>97H

PROPOSED NEW BOREHOLE WORKS

IMPLEMENTING AGENCY



@C75HCB

**WASH** SUPPORTED BENEFICIARY SITES IN SOMALIA

89G7F-DHCB

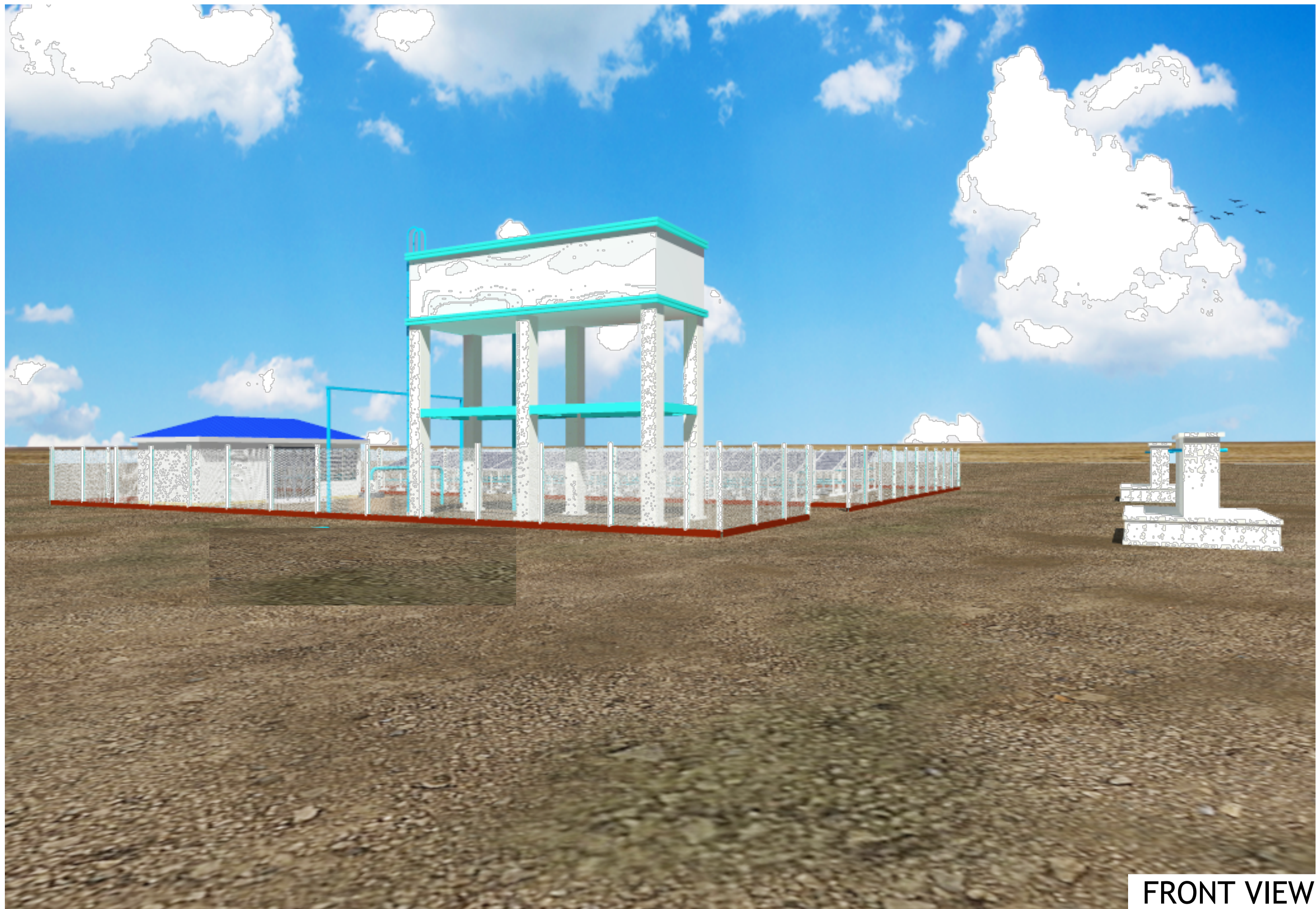
REV.	DESCRIPTION	DATE

STATUS	NEW CONSTRUCTION
DATE	JAN 2020
DESIGNED BY:	ENG. WANJA D.
DRAWN BY :	ENG. WANJA D.
REVIEWED BY:	
APPROVED BY:	DR. O. KHYARE

8F5K-B: 1H109
Details
8F5K-B: B <sup>6</sup>
DFC>97HB <sup>6</sup>

**BOREHOLES**

C:99HB<sup>6</sup>



**FRONT VIEW**

DFC>97H

PROPOSED NEW BOREHOLE WORKS

IMPLEMENTING AGENCY



@C75HCB

**WASH** SUPPORTED BENEFICIARY SITES IN SOMALIA

89G7F-DHCB

REV.	DESCRIPTION	DATE

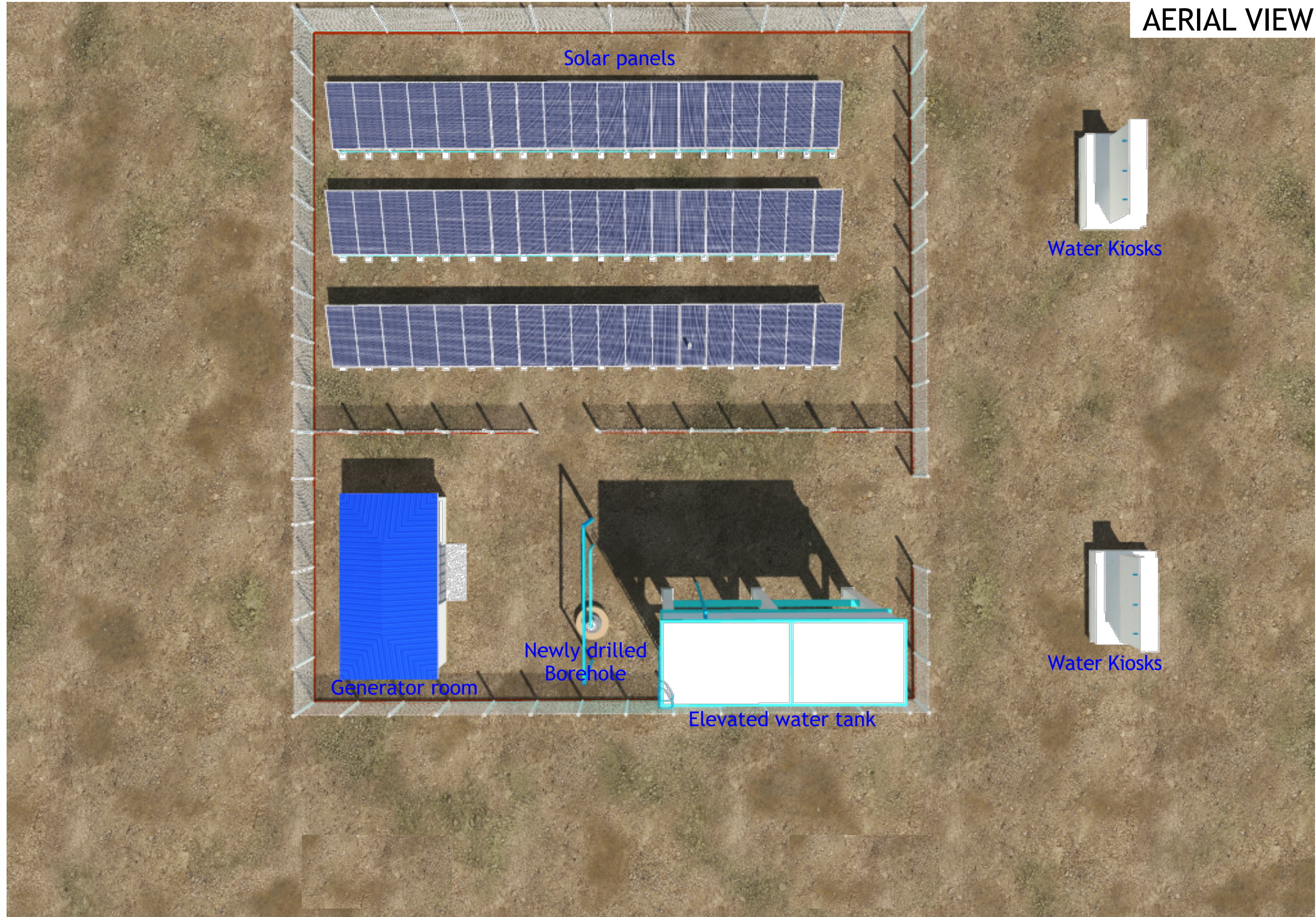
STATUS	NEW CONSTRUCTION
DATE	JAN 2020
DESIGNED BY:	ENG. WANJA D.
DRAWN BY :	ENG. WANJA D.
REVIEWED BY:	DR. O. KHYARE

BF5K-B: HH@9.
Details
BF5K-B: B@.
DFC>97HB@.

**BOREHOLES**

G-99HB@.

# AERIAL VIEW



DFC>97H

PROPOSED NEW BOREHOLE WORKS

IMPLEMENTING AGENCY



@C75HCB

**WASH** SUPPORTED BENEFICIARY SITES IN SOMALIA

89G7F-DHCB

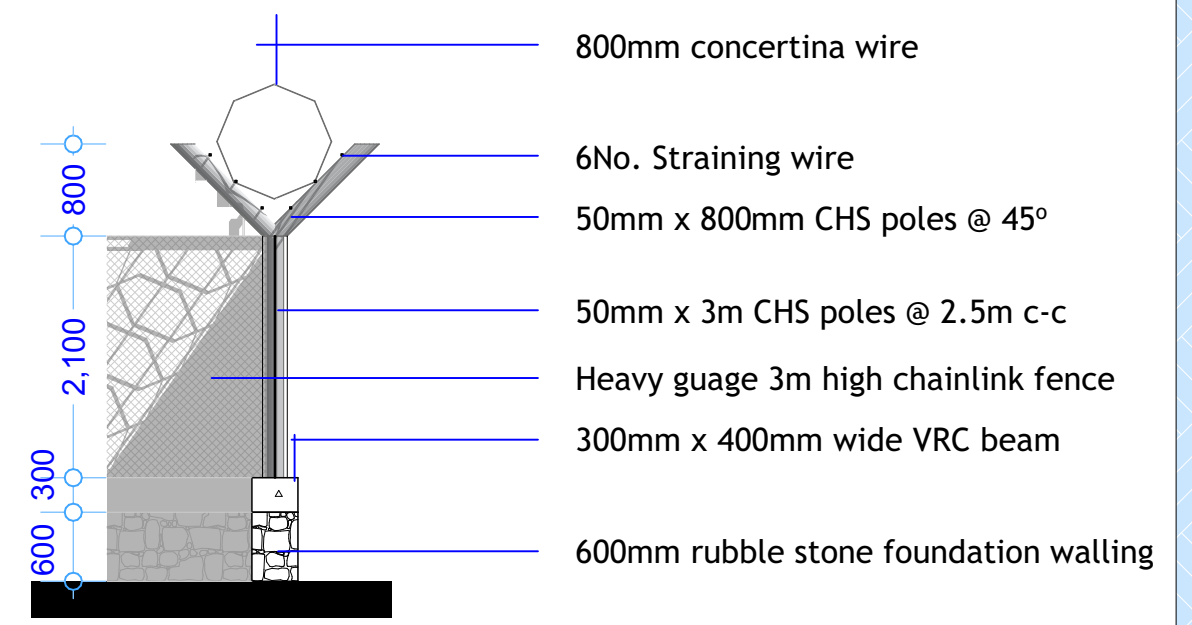
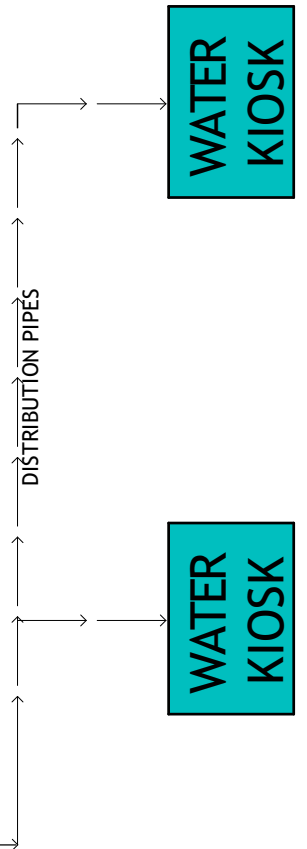
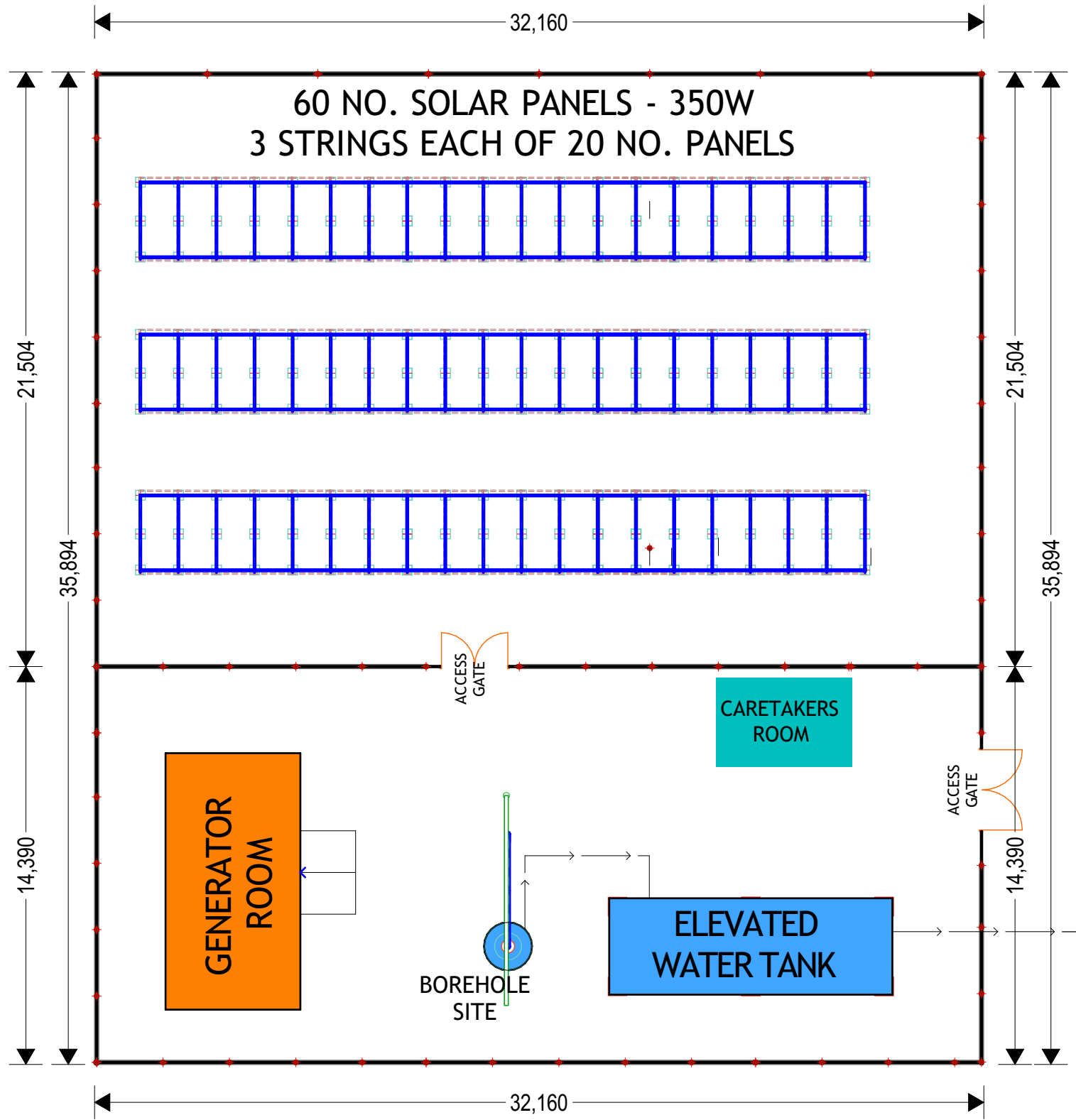
REV.	DESCRIPTION	DATE

STATUS	NEW CONSTRUCTION
DATE	JAN 2020
DESIGNED BY:	ENG. WANJA D.
DRAWN BY :	ENG. WANJA D.
REVIEWED BY:	
APPROVED BY:	DR. O. KHYARE

BF5K-B: HH02
Details
BF5K-B: B0
DFC>97HB0

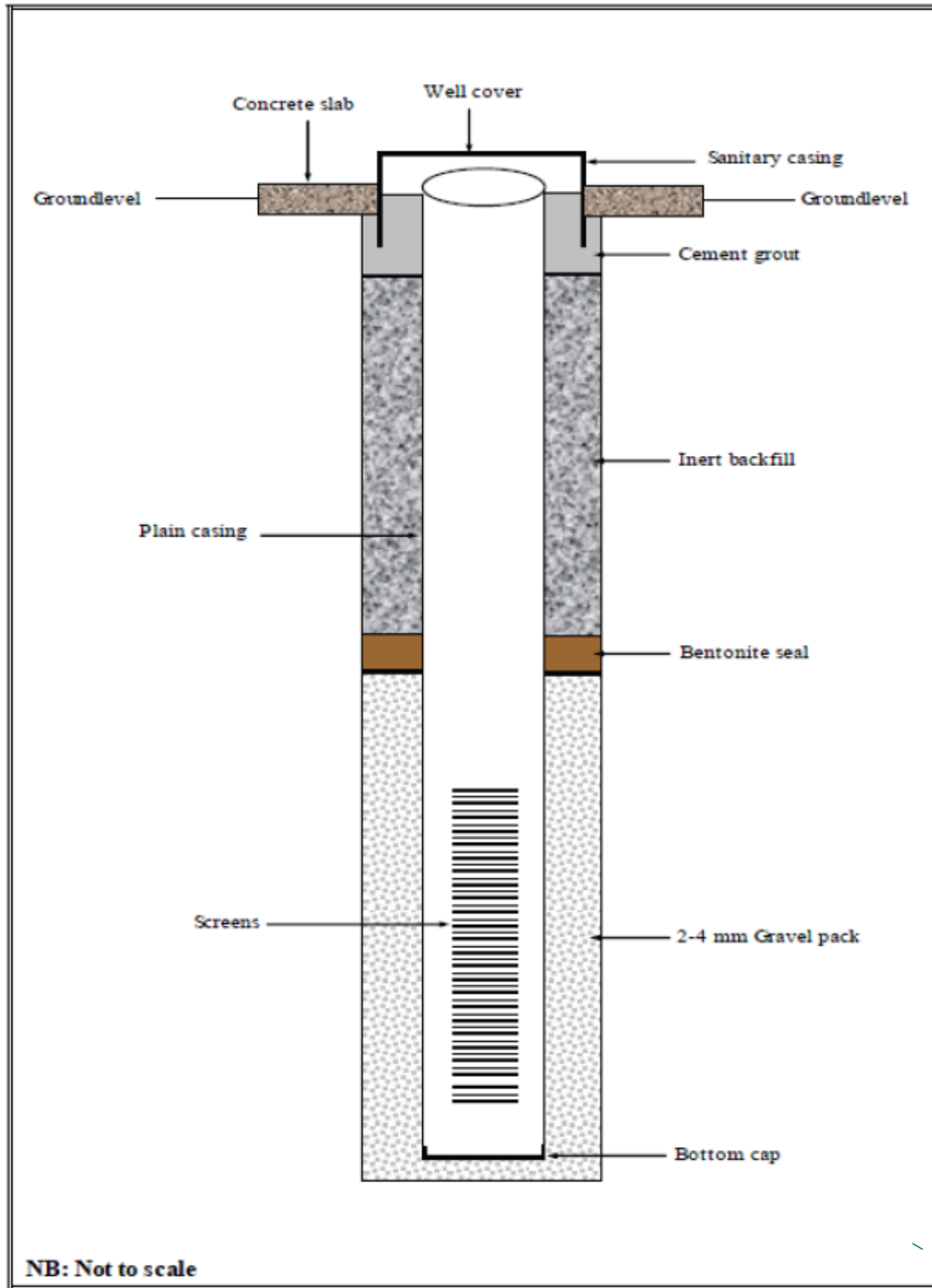
## BOREHOLES

G: 99HB0



FENCING DETAILS

REV.	DESCRIPTION	DATE	STATUS	REHABILITATION WORKS	8F5K-B: HH#9
			DATE	JUN 2020	Details
			DESIGNED BY:	ENG. WANJA D.	8F5K-B: B#
			DRAWN BY :	ENG. WANJA D.	DFC>97HB#
			REVIEWED BY:		
			APPROVED BY:	DR. O. KHYARE	



PROPOSED BOREHOLE DETAILS AS PER THE  
HYDROGEOLOGICAL SURVEY. EXACT  
DEPTH AND  
DETAILS AFTER TO BE CONFIRMED AFTER  
DRILLING WORKS

000000



00000000



IN SOMALIA

0000000000

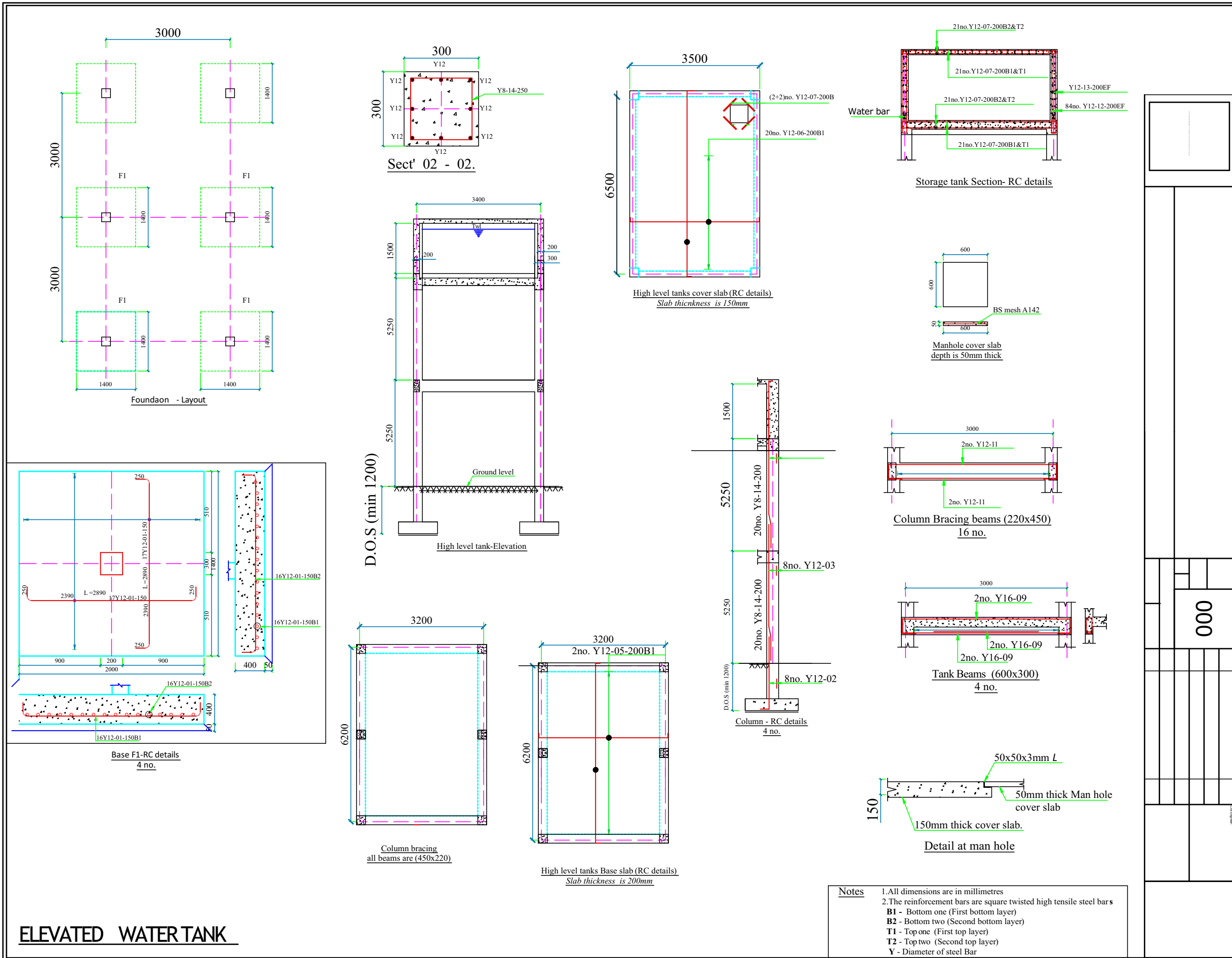
0000	0000000000	0000

000000	0000000000000000
0000	0000 0000
000000000000	0000000000 00
00000000 0	0000000000 00
000000000000	000000000000

000000000000 0
00000000
00000000 50
00000000 50

0000000000

00000000 50



- Notes**
- All dimensions are in millimetres
  - The reinforcement bars are square twisted high tensile steel bars
  - B1** - Bottom one (First bottom layer)
  - B2** - Bottom two (Second bottom layer)
  - T1** - Top one (First top layer)
  - T2** - Top two (Second top layer)
  - Y** - Diameter of steel Bar

**PROJECT**  
BOREHOLE REHABILITATION  
WORKS



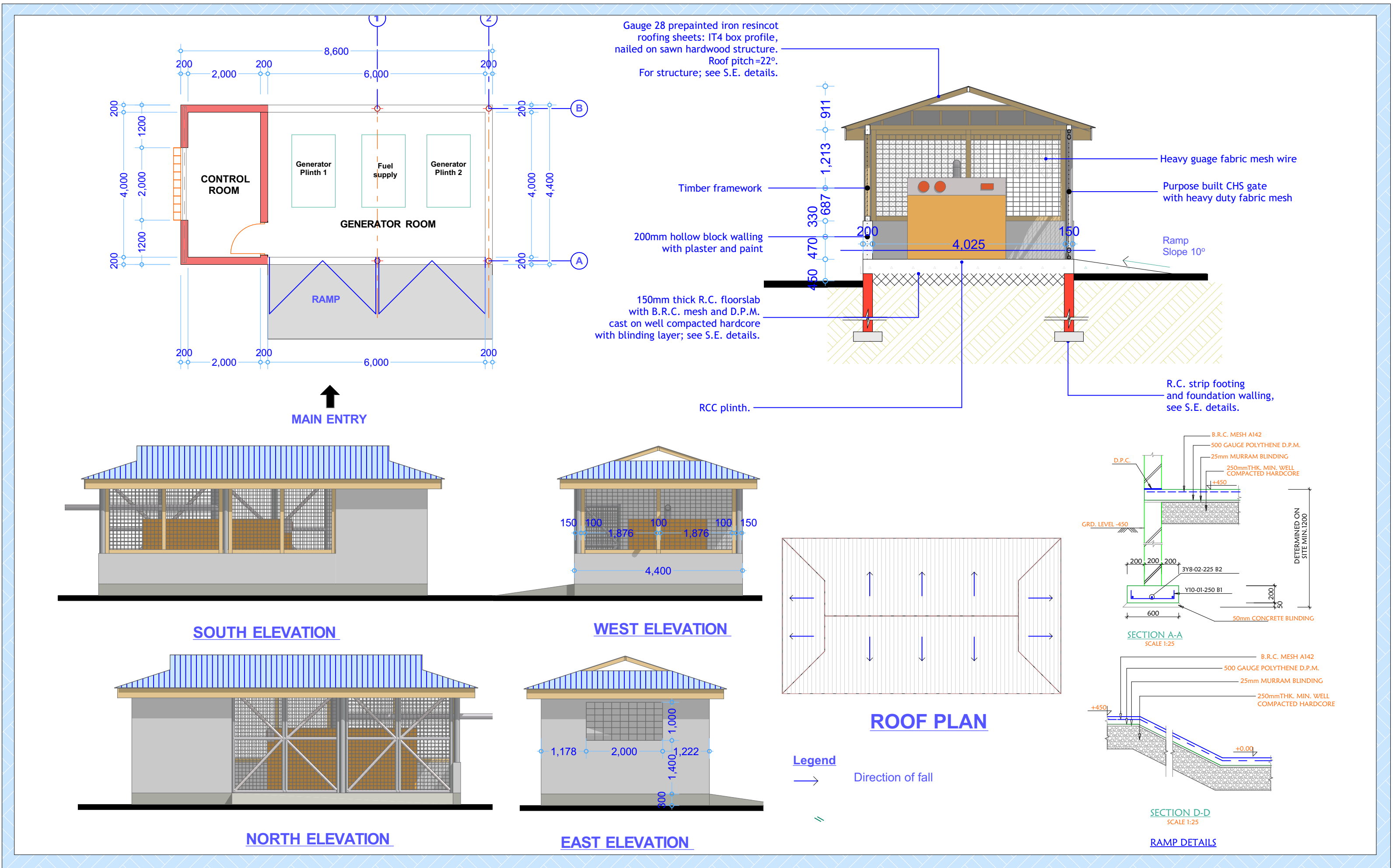
**LOCATION**  
WASH SUPPORTED  
BENEFICIARY SITES IN  
SOMALIA

**DESCRIPTION**

REV.	DESCRIPTION	DATE	STATUS	REHABILITATION WORKS

**DRAWING TITLE:**  
Details  
**DRAWING N<sup>o</sup>:**  
**PROJECT N<sup>o</sup>:**

**BOREHOLES**  
SHEET N<sup>o</sup>:



**PROJECT**  
 PROPOSED NEW BOREHOLE WORKS



**LOCATION**  
 WASH SUPPORTED FACILITY IN SOMALIA

**DESCRIPTION**

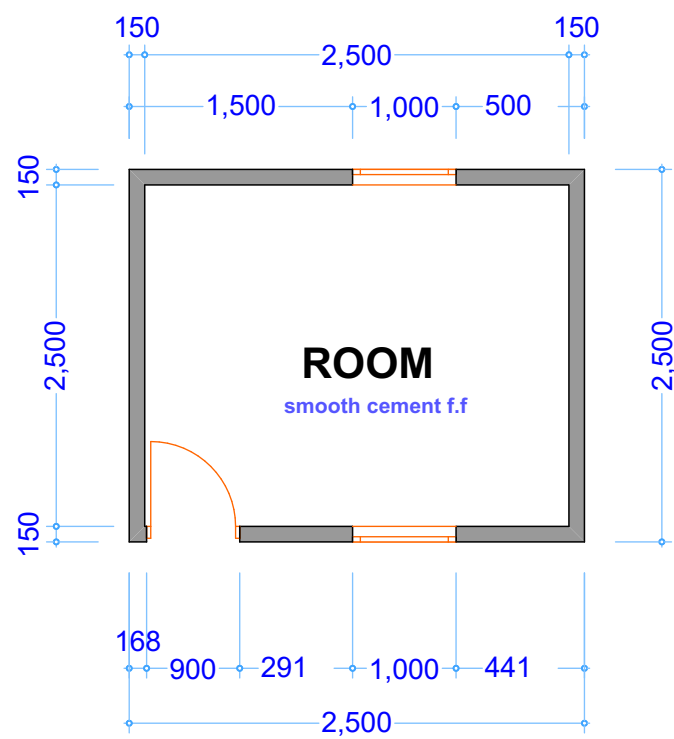
REV.	DESCRIPTION	DATE

STATUS	NEW CONSTRUCTION
DATE	APRIL 2020
DESIGNED BY:	ENG. WANJA D.
DRAWN BY:	ENG. WANJA D.
REVIEWED BY:	
APPROVED BY:	DR. O. KHYARE

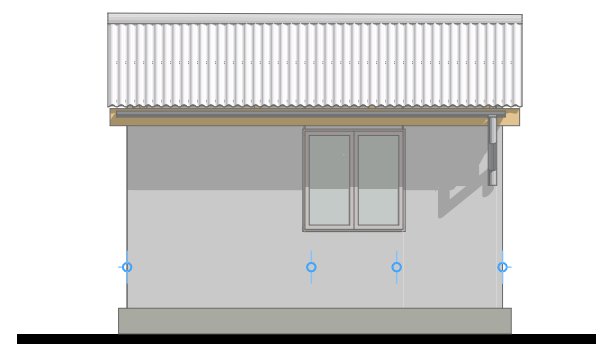
**DRAWING TITLE:**  
 Details  
**DRAWING N°:**  
**PROJECT N°:**

**BOREHOLES**  
 SHEET N°:

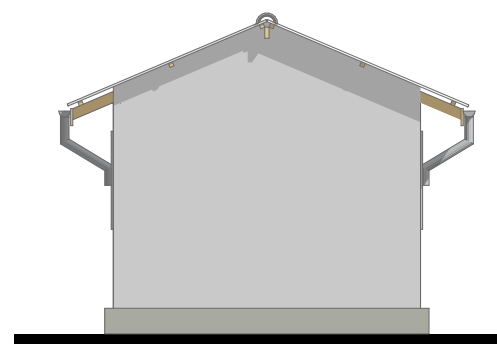




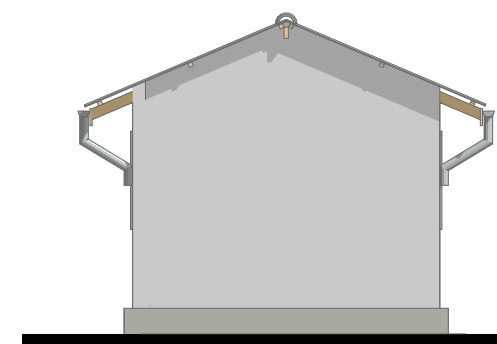
**FLOOR LAYOUT**



**SOUTH ELEVATION**



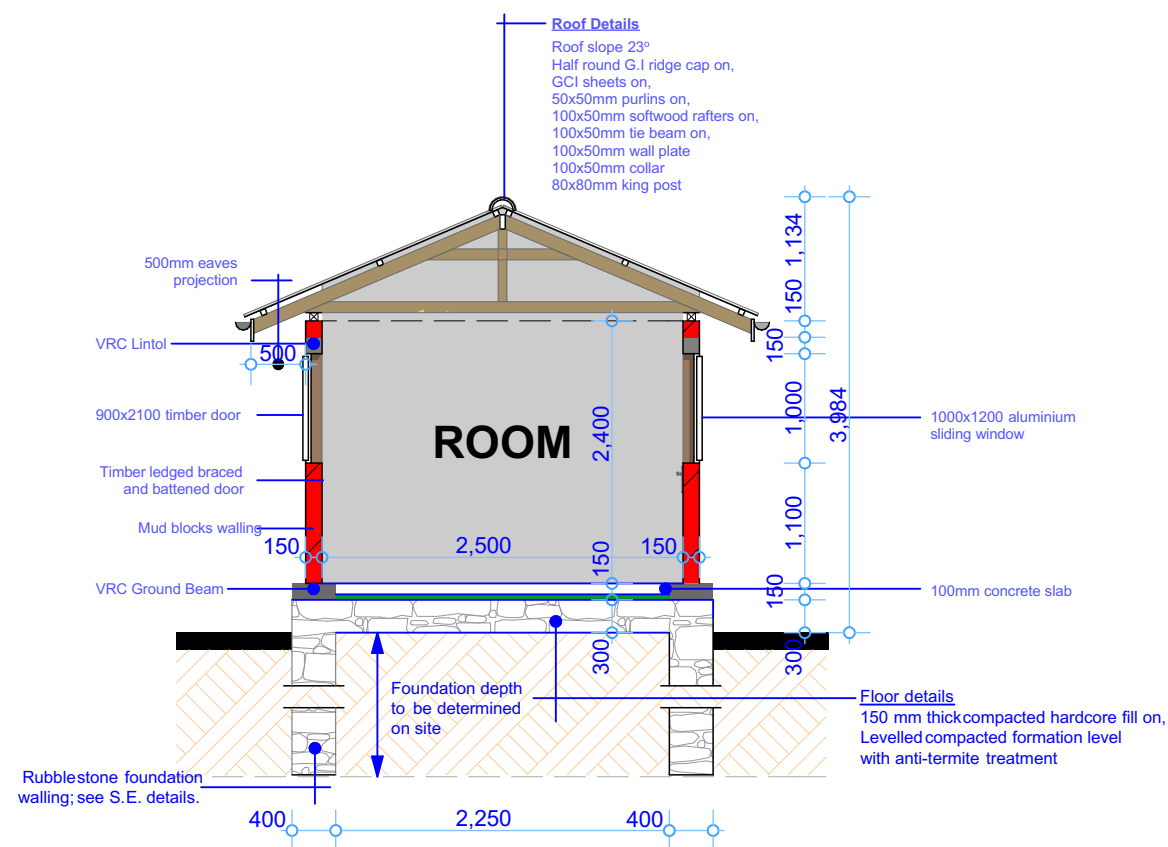
**EAST ELEVATION**



**WEST ELEVATION**

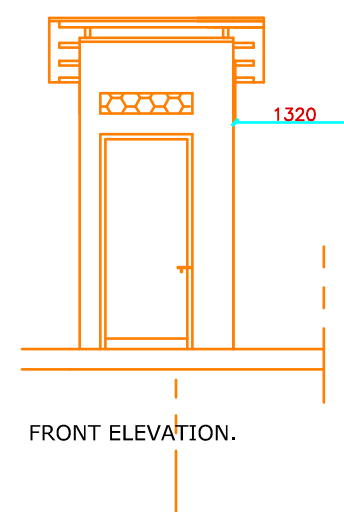


**NORTH ELEVATION**

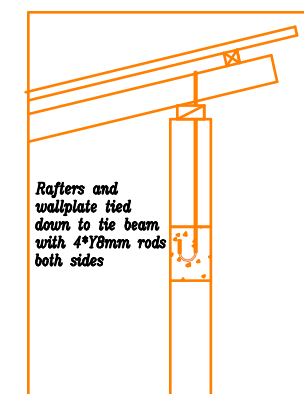


**SECTIONAL ELEVATION**

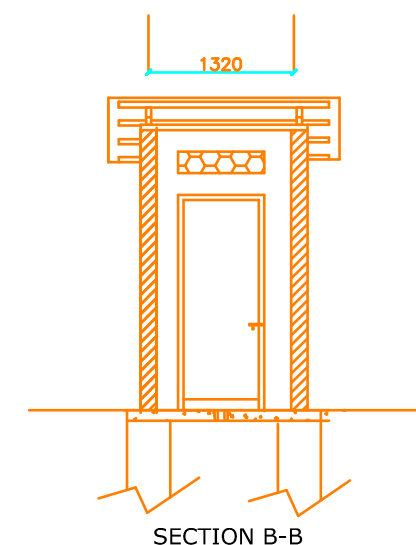
**TOILET AND CESSPOOL DESIGN**



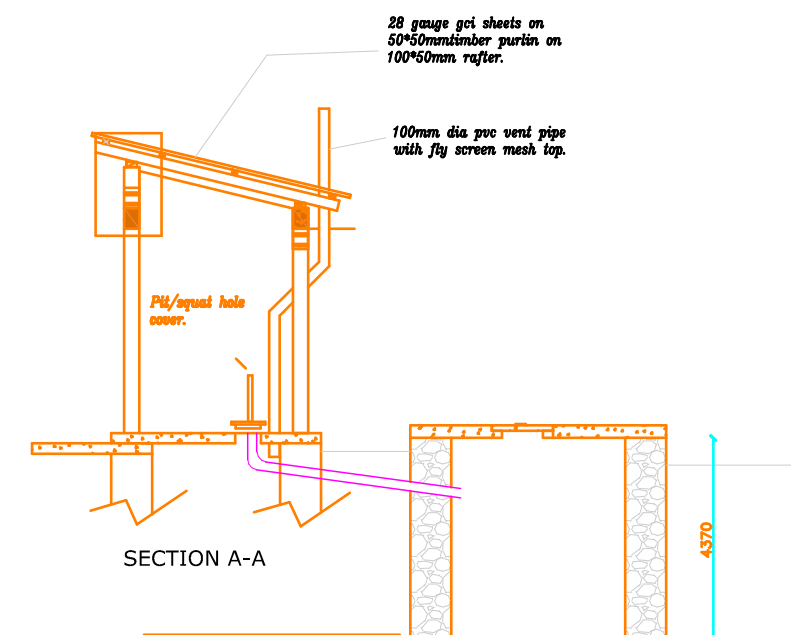
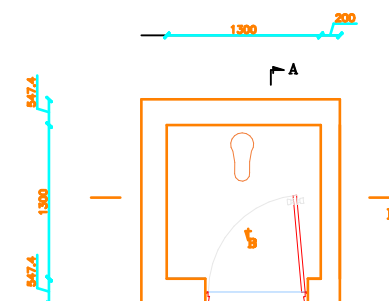
**FRONT ELEVATION.**



Rafters and wallplate tied down to tie beam with 4x18mm rods both sides



**SECTION B-B**



**SECTION A-A**

**PROJECT**  
PROPOSED NEW BOREHOLE WORKS



**LOCATION**  
**WASH** SUPPORTED REGIONS IN SOMALIA

**DESCRIPTION**

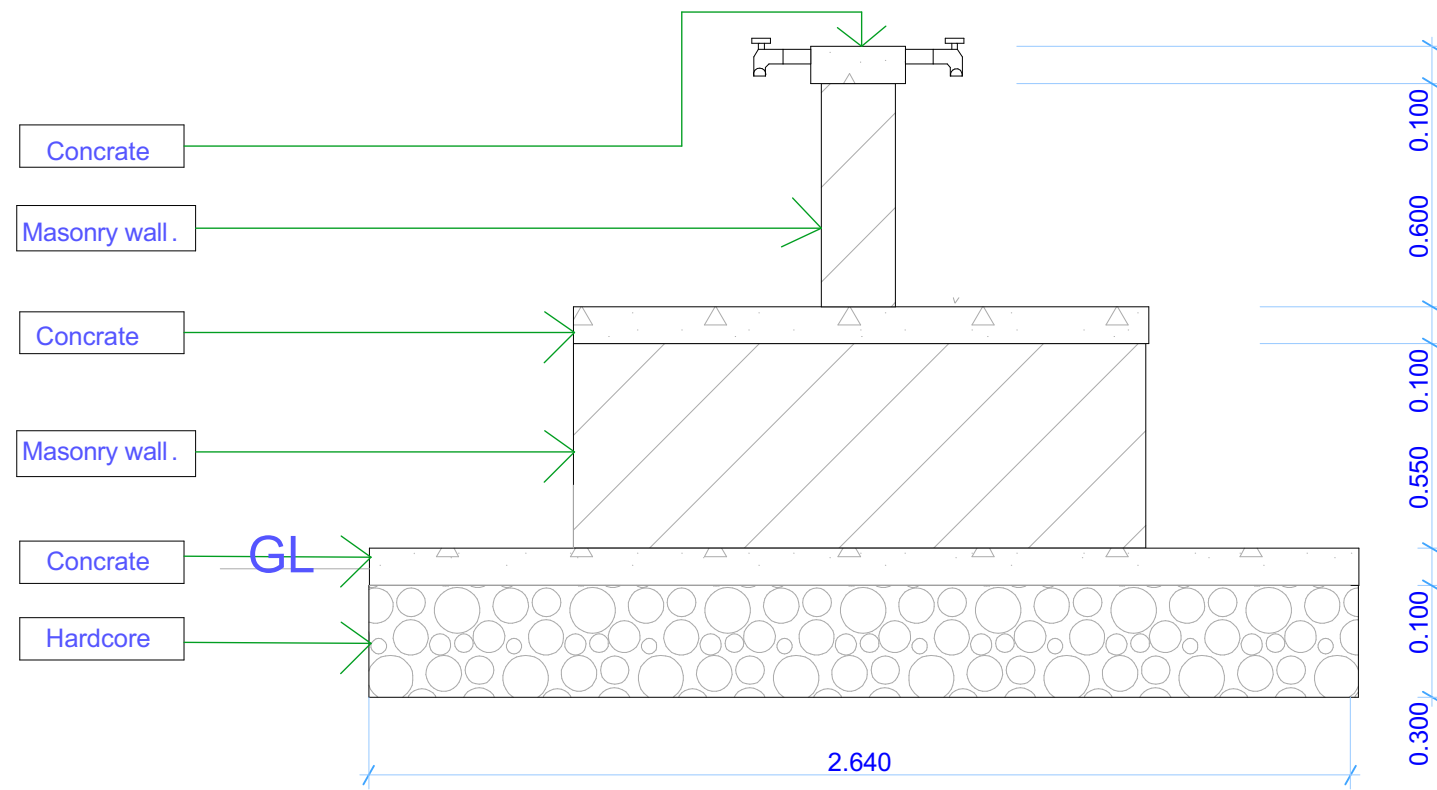
REV.	DESCRIPTION	DATE

STATUS	NEW CONSTRUCTION
DATE	APRIL 2020
DESIGNED BY:	ENG. WANJA D.
DRAWN BY :	ENG. WANJA D.
REVIEWED BY:	
APPROVED BY:	DR. O. KHYARE

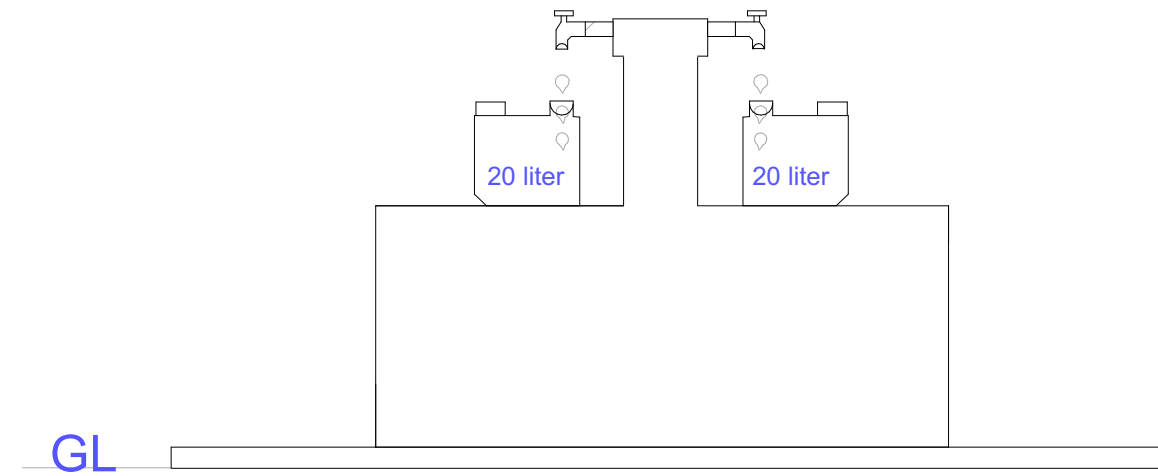
**DRAWING TITLE:**  
Details  
**DRAWING N°:**  
**PROJECT N°:**

**BOREHOLES**

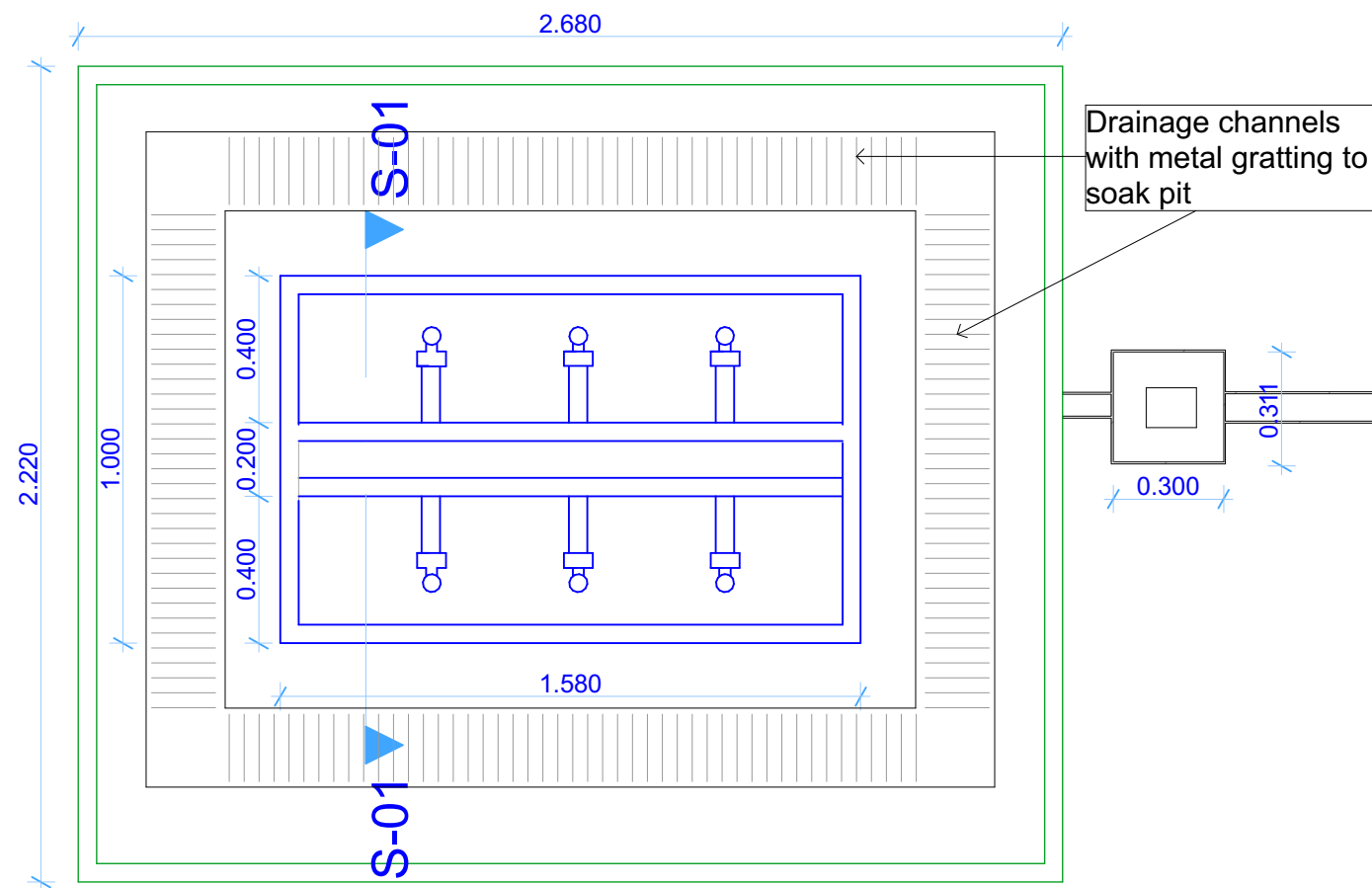
SHEET N°:



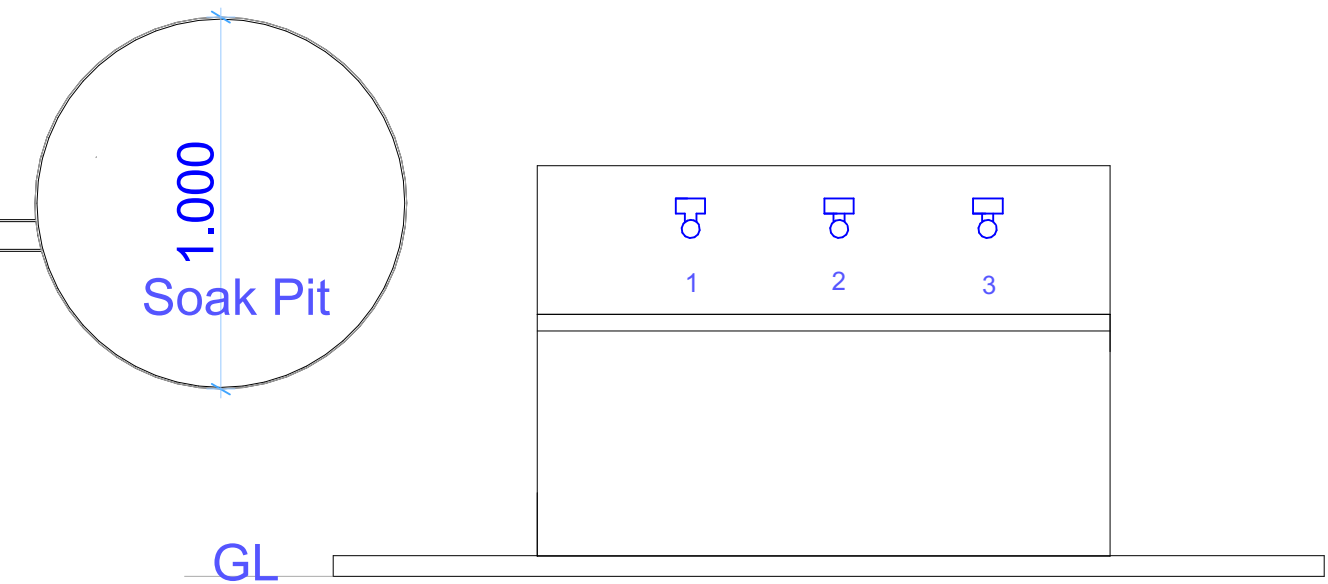
Section S-01



Side Elevation



Floor Plan



Front Elevation

**GENERAL NOTES**

1. All dimensions are in mm unless stated.
2. All dimensions to be checked and confirmed on site before commencement of any work.
3. Any discrepancy to be reported to the engineer promptly before proceeding.

**PROJECT**

EXCAVATION OF SHALLOW WELLS

**IMPLEMENTING AGENCY**



**DEPARTMENT**

WATER SANITATION AND HYGIENE  
**WASH**

SCALE	
DATE	JUNE 2020
DESIGNED BY:	ENG. Wanja.D
DRAWN BY:	ENG. Wanja.D
REVIEWED BY:	
APPROVED BY:	

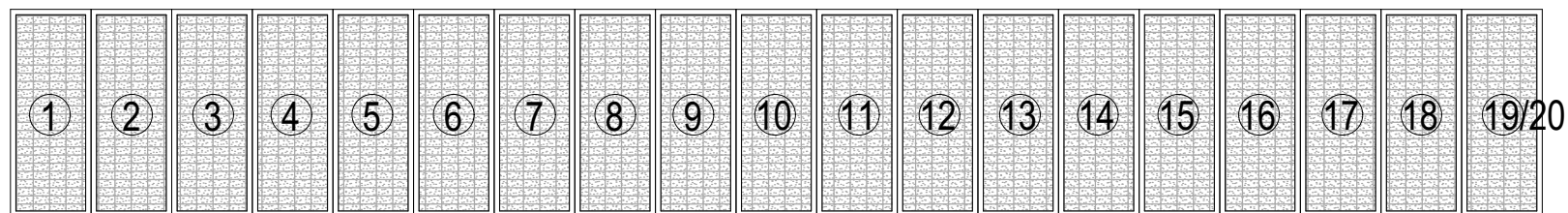
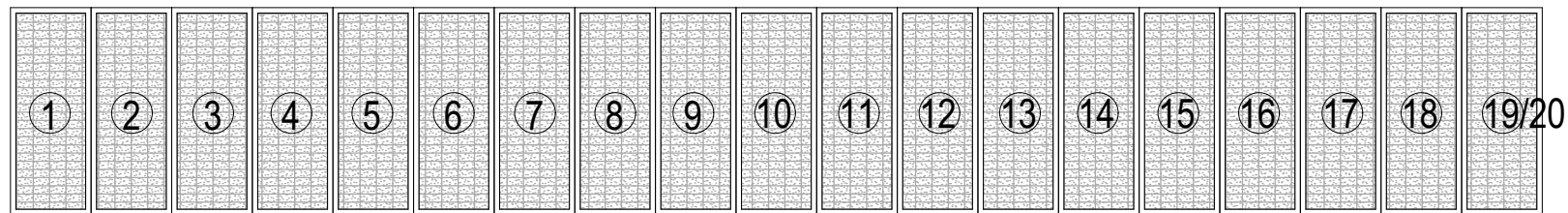
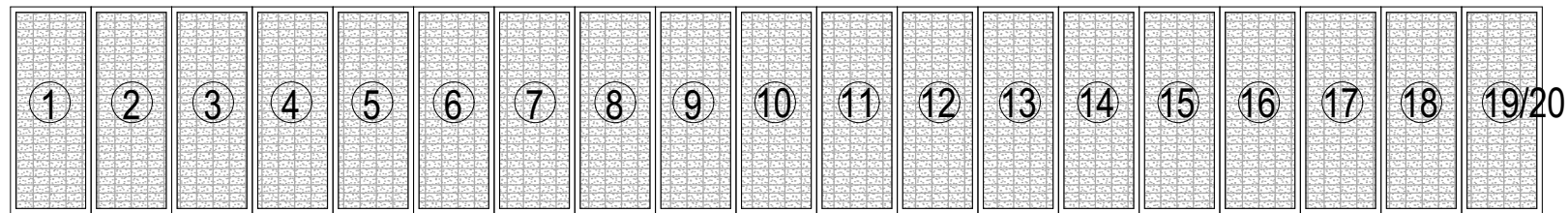
**DRAWING TITLE:**

**DRAWING N<sup>o</sup>:**

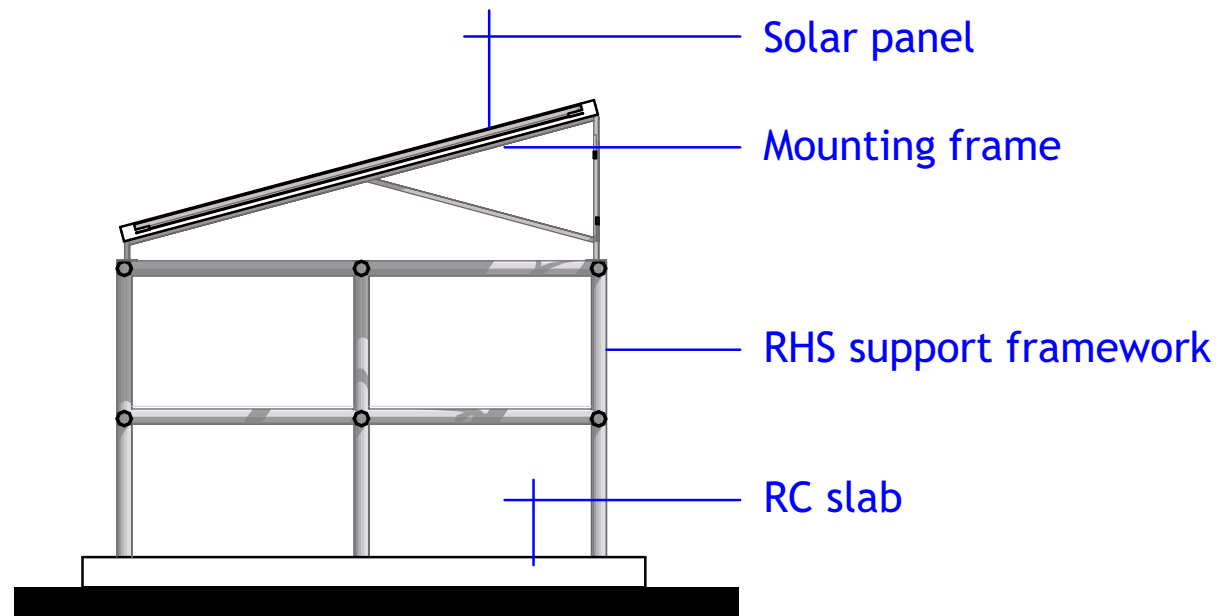
**PROJECT N<sup>o</sup>:**

**WATER KIOSK**

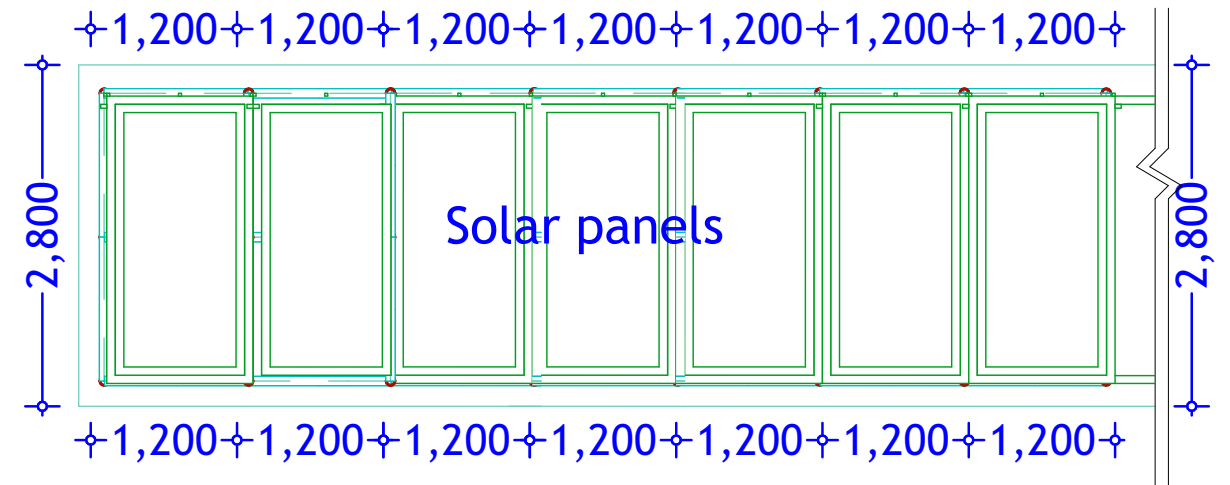
**SHEET N<sup>o</sup>:**



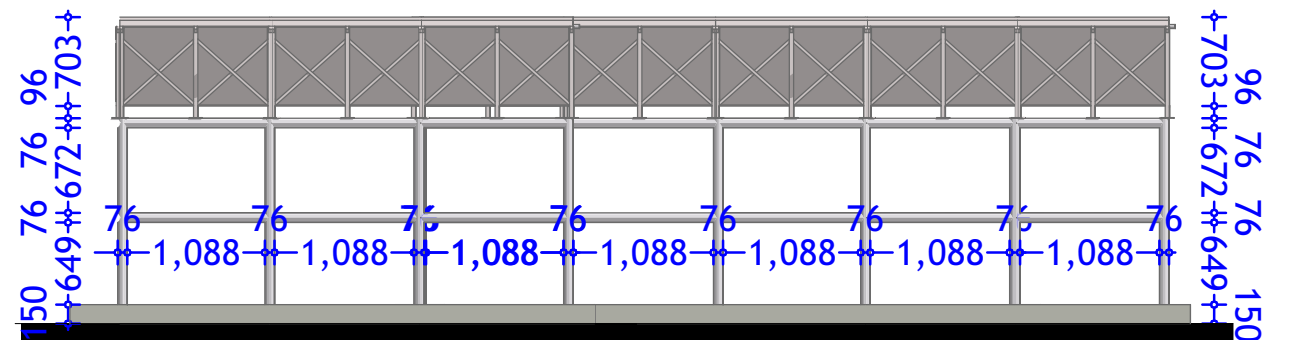
**SOLAR PANEL LAYOUTS - THREE STRINGS**



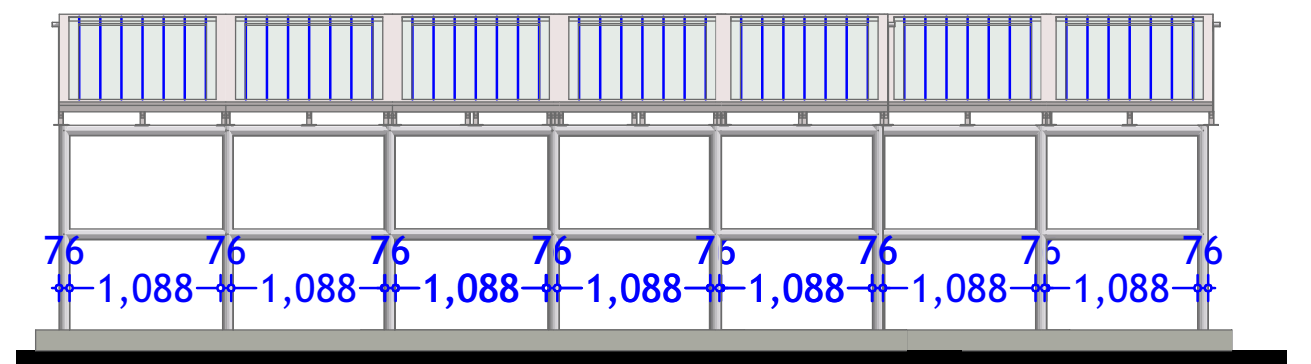
**SOLAR STRUCTURE ELEVATION**



**TYPICAL 7 NO. PANEL LAYOUT**



**SOLAR STRUCTURE ELEVATION**



**SOLAR STRUCTURE ELEVATION**

**PROJECT**  
PROPOSED NEW BOREHOLE WORKS



**LOCATION**  
**WASH** SUPPORTED BENEFICIARY SITES IN SOMALIA

**DESCRIPTION**

REV.	DESCRIPTION	DATE

STATUS	NEW CONSTRUCTION
DATE	JAN 2020
DESIGNED BY:	ENG. WANJA D.
DRAWN BY:	ENG. WANJA D.
REVIEWED BY:	
APPROVED BY:	DR. O. KHYARE

DRAWING TITLE:	Details
DRAWING N°:	
PROJECT N°:	

**BOREHOLES**

SHEET N°: